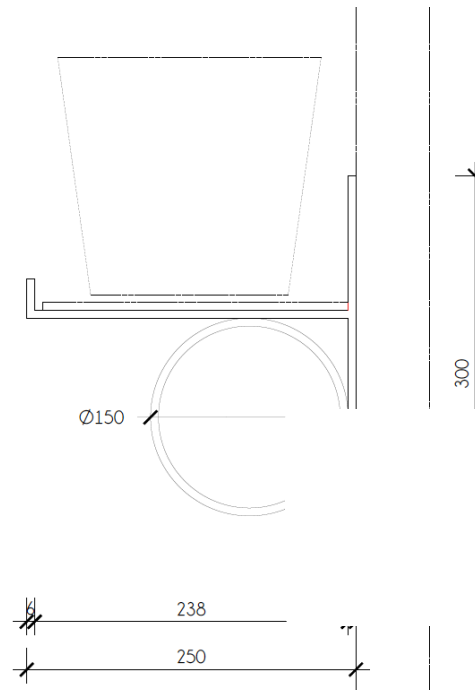




THE URBANATIVE

[www.theurbanative.com](http://www.theurbanative.com)

# Zinzi Bracket: SBR01-250/SBR02-420



## Dimensions (mm)

Small: 300 mm x 250 mm x 30 mm

Large: 420mm x 405mm x 30mm

Weight: 3 kg

## Materials

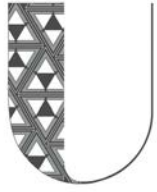
Powder coated steel

## Cleaning and Care

Wipe steel bracket with damp soft cloth.

Studio Showroom:  
1 Roller Str. Spartan, Kempton Park

Contact: +27 115681490



THEURBANATIVE

[www.theurbanative.com](http://www.theurbanative.com)

## Powdercoating Colours 2022

Beige Red (RAL 3012)  
Ferrograin - Indoor

Terracotta (RAL 8004)  
Ferrograin - Indoor

Wine Red (RAL 3005)  
Ferrograin - Indoor

Coral (RAL 2012)  
Ferrograin - Outdoor

Pebble Grey (RAL 7032)  
Ferrograin - Indoor

Basalt Grey (RAL 7012)  
Ferrograin - Indoor

Black (RAL 9011)  
Ferrograin - Indoor

Steel Blue (RAL 5003)  
Ferrograin - Outdoor

Steel Blue (RAL 5003)  
Ferrograin - Indoor

Forest Green (RAL 6009)  
Smooth - Indoor

Mustard (RAL 1005)  
Ferrograin - indoor

Olive Green (RAL 6003)  
Ferrograin - Outdoor

Custom colours available on request and will be quoted separately.

**POWDERCOATED STEEL  
WALL-MOUNTED  
BRACKET**



THEURBANATIVE

# Brackets





## Care

To clean and maintain the powder coated finish, wipe surfaces with soft damp cloth, on occasion a soft brush can be used for stubborn dirt. After wiping with the damp soapy cloth make sure to gently wipe any soap residue with a soft dry cloth. Filtered water should always be used as unfiltered water sometimes has trace abrasive elements such as sulphur/ iron oxide, in addition do not expose your powder-coated pieces to abrasive solutions with chlorine, saltwater, fluoride.

For outdoor furniture or furniture to be used at the coast we urge the client to notify TheUrbanative in order for us to treat the steel accordingly via a process of e-coating or using galvanised steel components. In order to further protect our steel planters, we rubber line the inside to stop any water seepage into metal crevices. Please note that eventually corrosion will result overtime for items in humid or coastal areas.

## Warrantees

Almost all powder contains UV protectants that maintain colour and gloss. The powdercoating is warranteed for 3 years (indoor) & 2,5 years (extreme outdoor); provided that no structural damage has occurred and that the cleaning guidelines provided are followed.

---

# Powdercoated Steel

