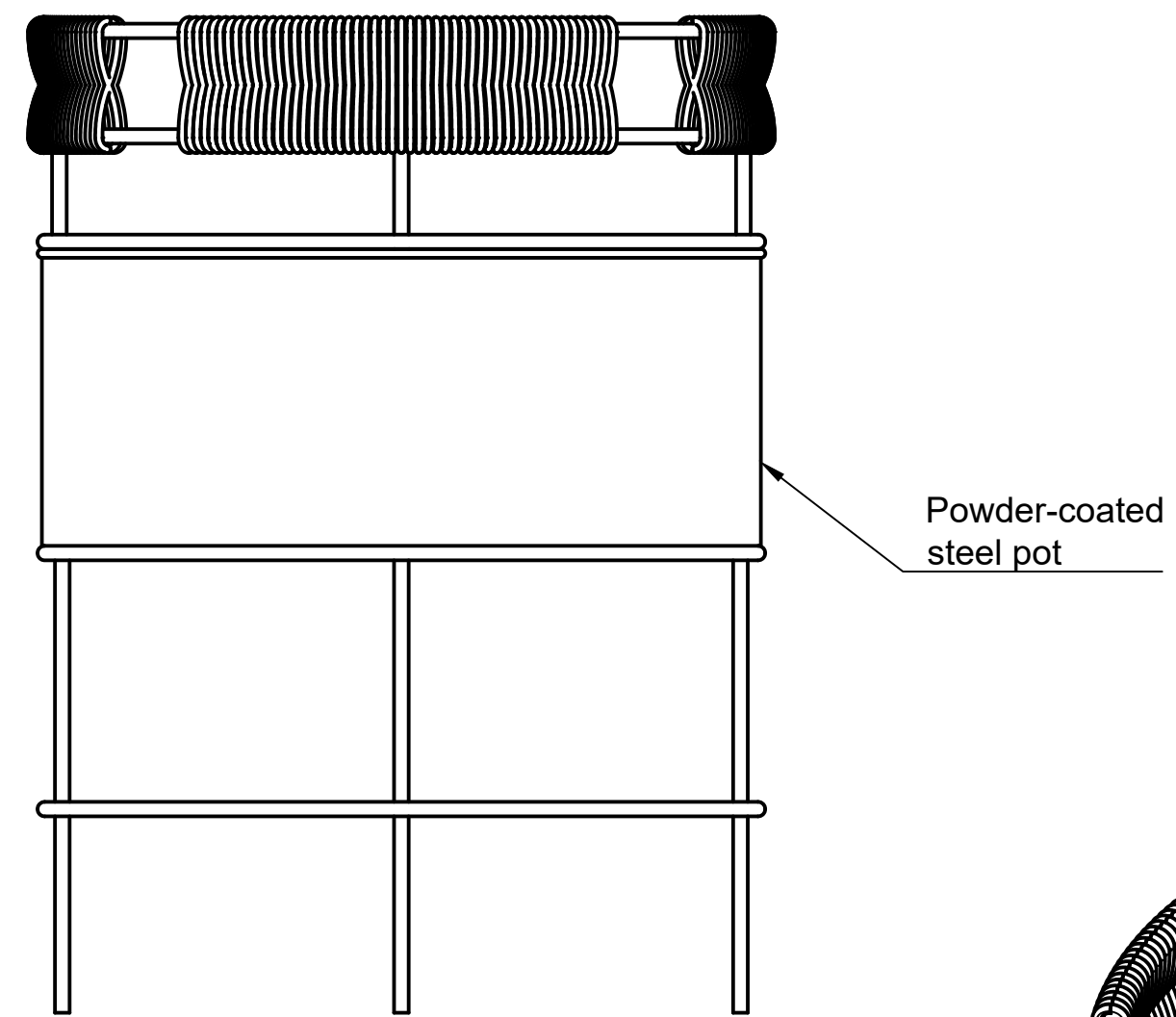
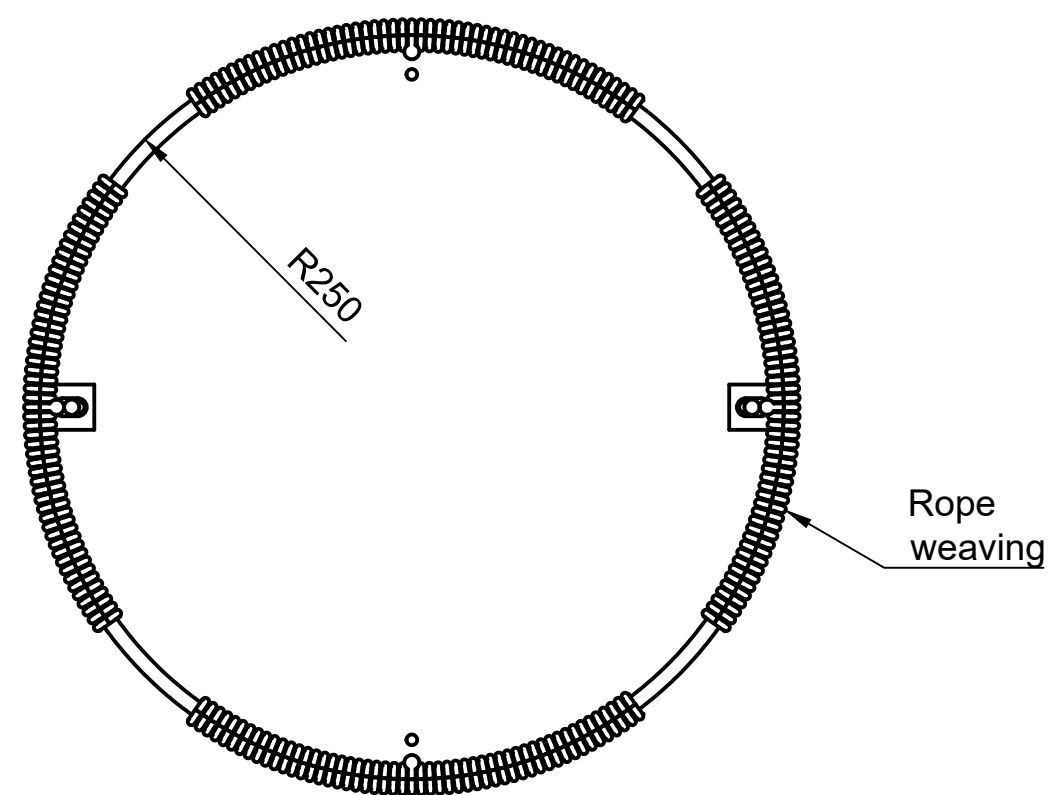


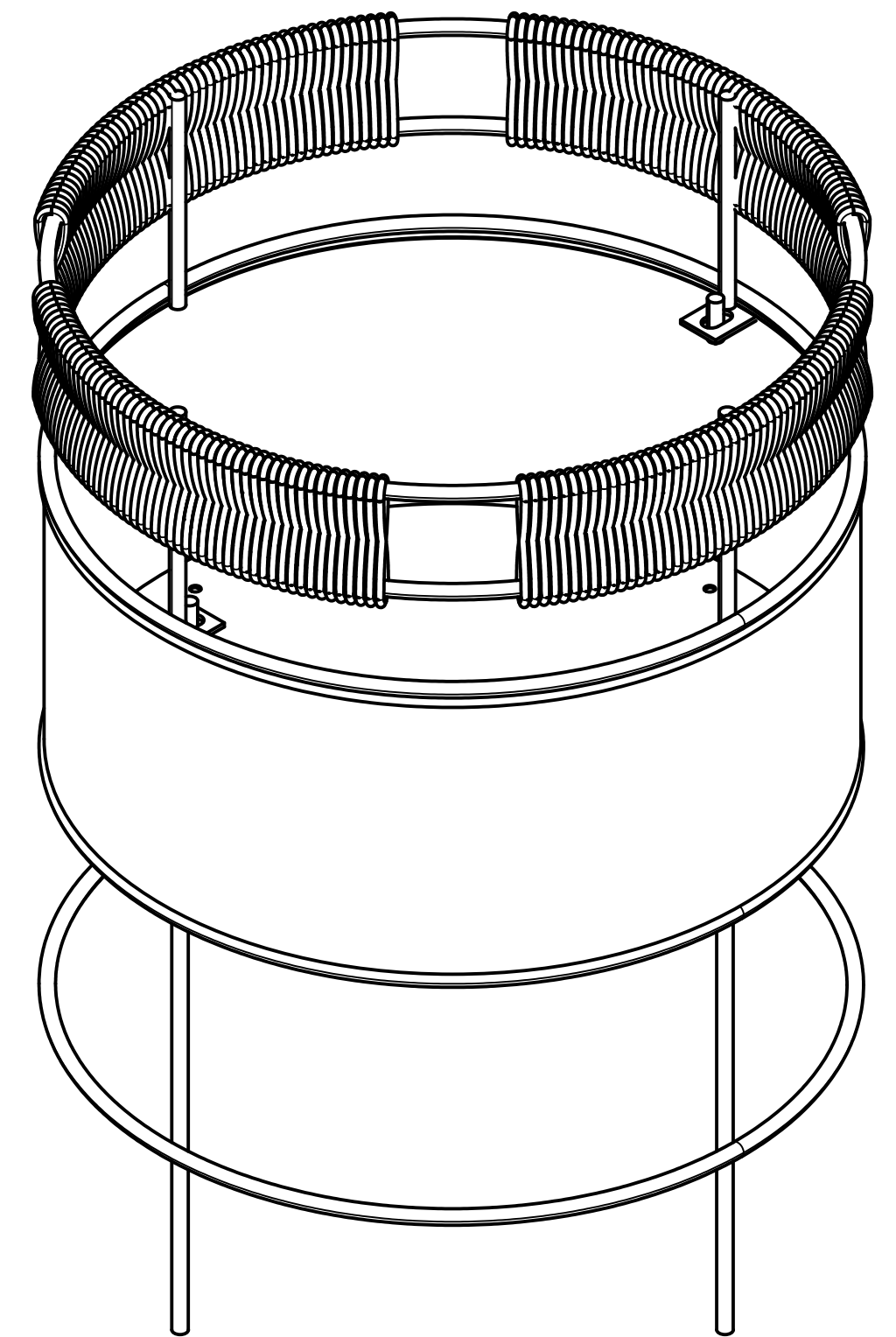
**FRONT VIEW**



**SIDE VIEW**



**TOP VIEW**



**REFERENCE IMAGE**

# **THE URBANATIVE - MANGBETU ROUND PLANTER**