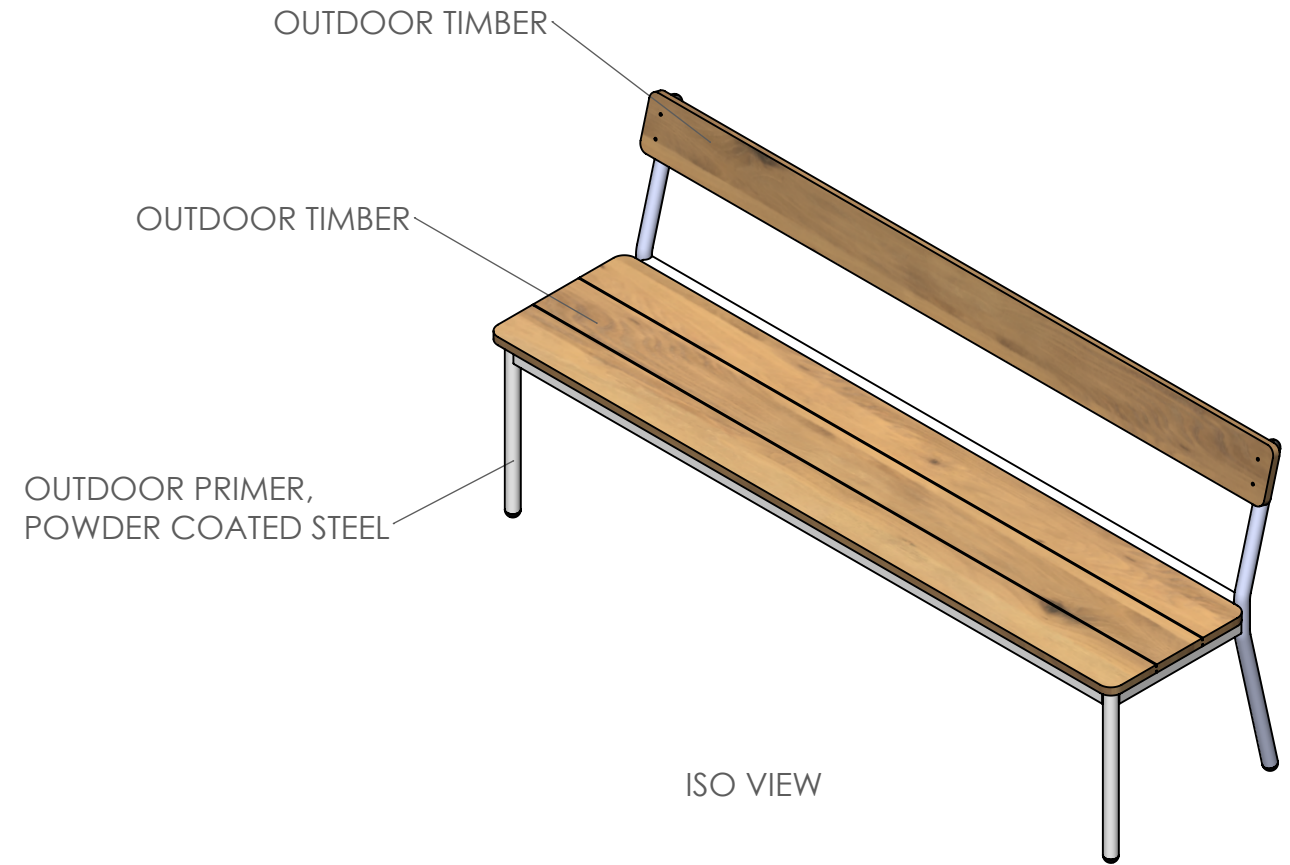
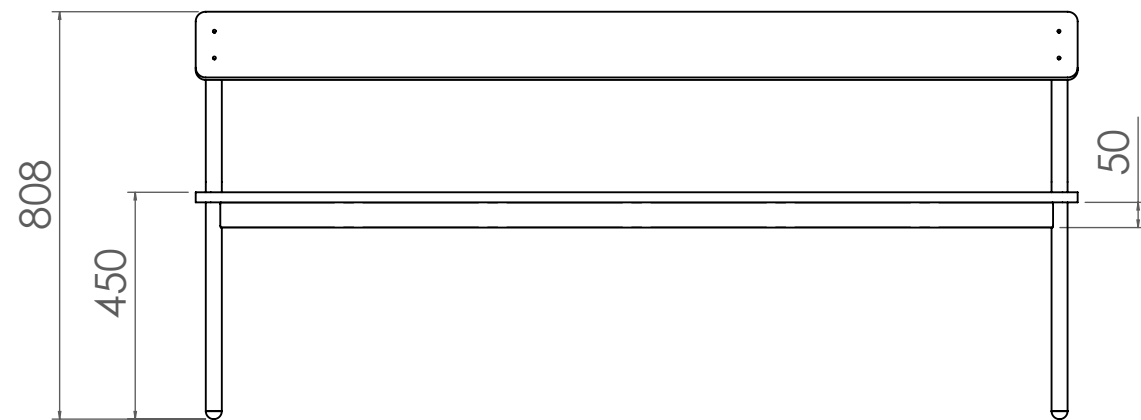


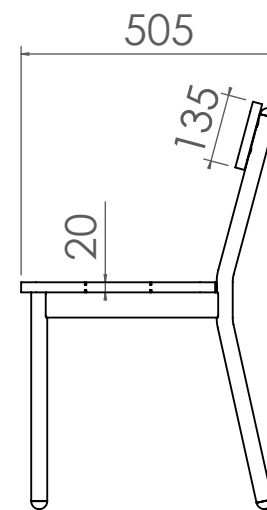
TOP VIEW



ISO VIEW



FRONT VIEW



SIDE VIEW