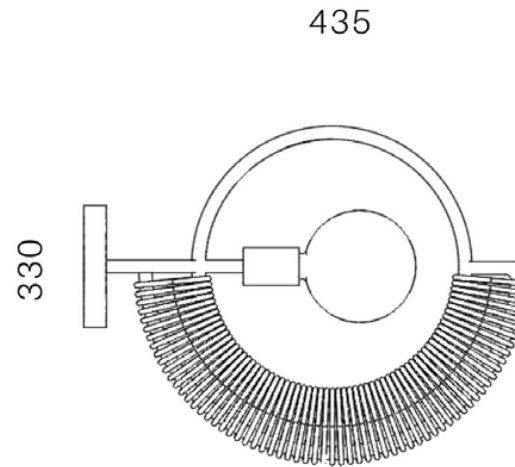
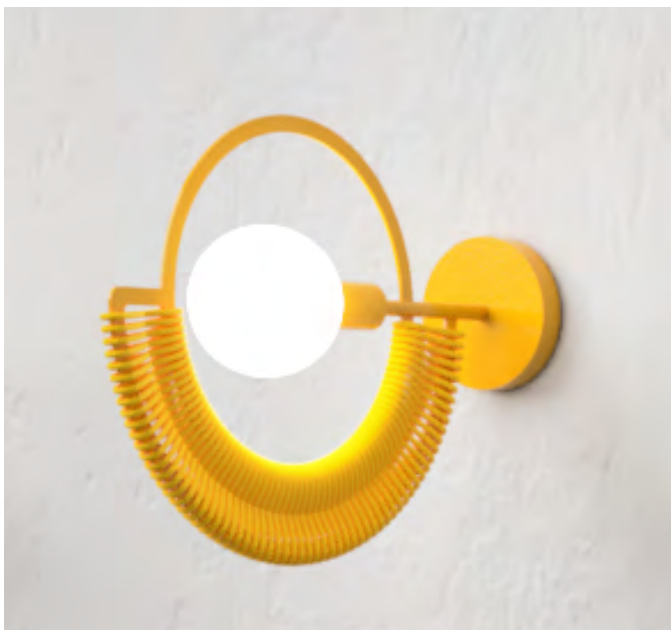
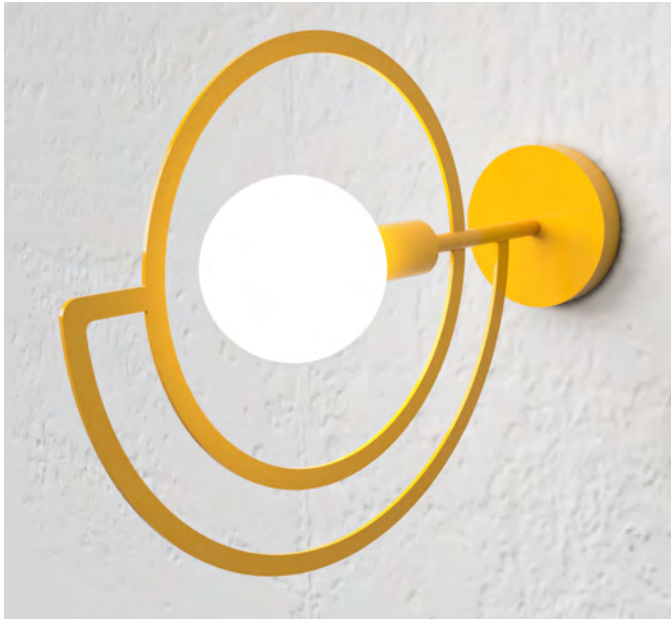




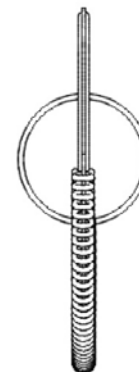
THE URBANATIVE

[www.theurbanative.com](http://www.theurbanative.com)

## FULANI wall light- WLL01



120



### Dimensions (mm)

Diameter: 435 mm  
Weight: 1,5 kg

### Materials

Powdercoated steel, woven pendant light

### Cleaning and Care

Wipe steel with damp soft cloth.  
Rope cleaning instructions as per  
fabric choice.

Since each piece is custom made,  
please allow 6 weeks for delivery.