

matte

The word "matte" is written in a large, bold, black, sans-serif font. Below it, there are five stylized, black, faceted pendant light icons arranged horizontally. Each icon has a small white dot at its top, representing a light source or a facet.

Facet Pendant Light

For any questions please email me at mailmedwards@gmail.com

Follow me on instagram to see updates on colour and finishes





Facet Pendant Light 1

Diameter - 300 mm
Weight - 1.41KG

Height - 215 mm

Available material and finishes: **Matte terra-cotta**
E27 light fitting supplied, B22 can be supplied too.

Retail:

Price with fittings:

R2150.00 per light

Wholesale price :
(With fittings)

R1950.00 per light if the amount of lights ordered
exceeds **6 lights**.

*fittings are for standard home installation, they include B22/E27 Lampholder,
1m cable from Hoi Ploy, ceiling cap from Hoi Ploy.
Any particular fittings needed for install will need to be specified.

*Prices exclude shipping and installation





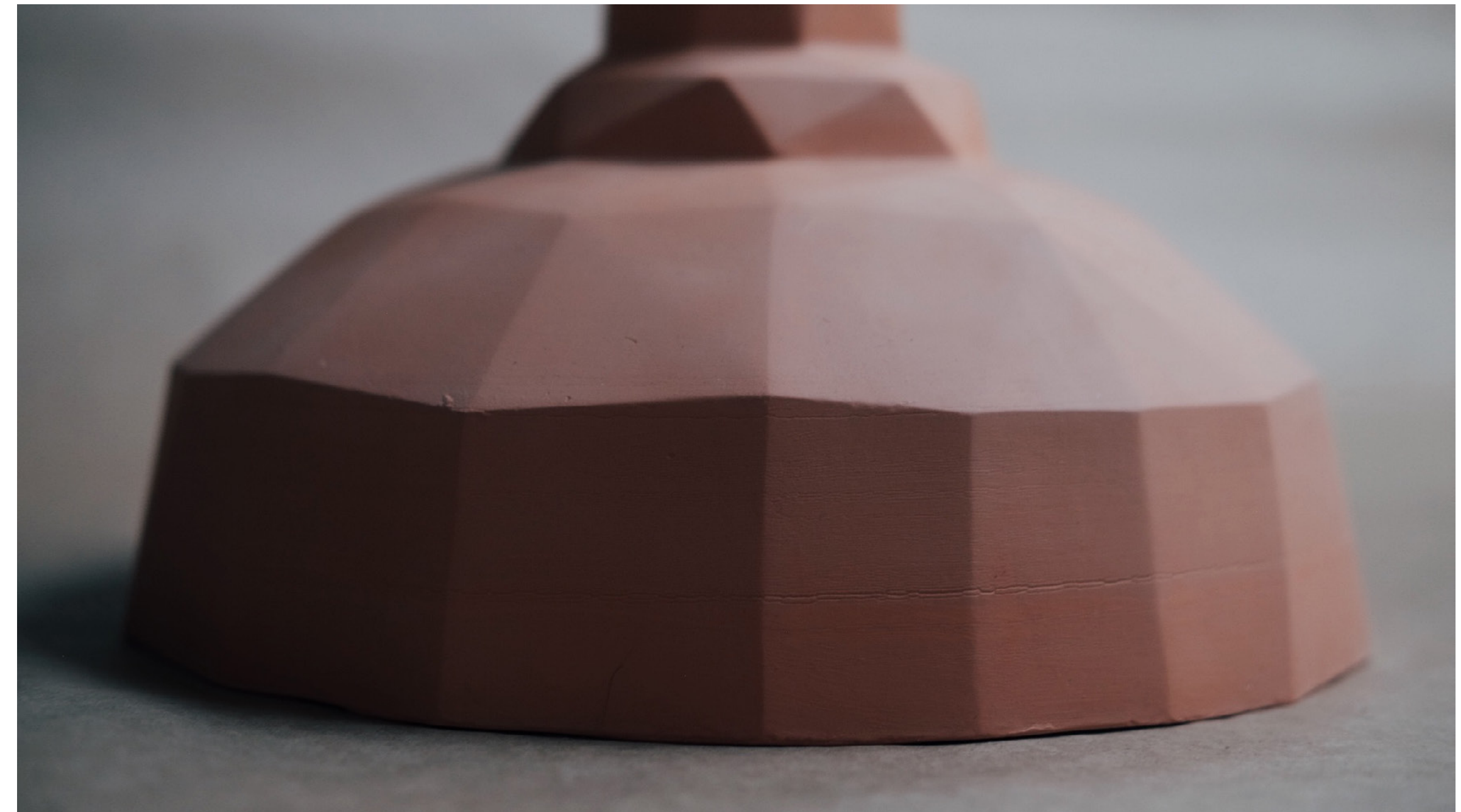
Pictured:

Facet Pendant 1
Hoiplay black cable
Nylon E27 fitting.

Pictured:

Facet Pendant 1
Warm E27 Edison Lightbulb.



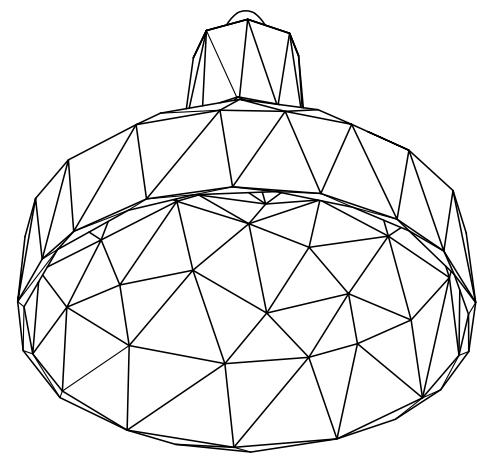
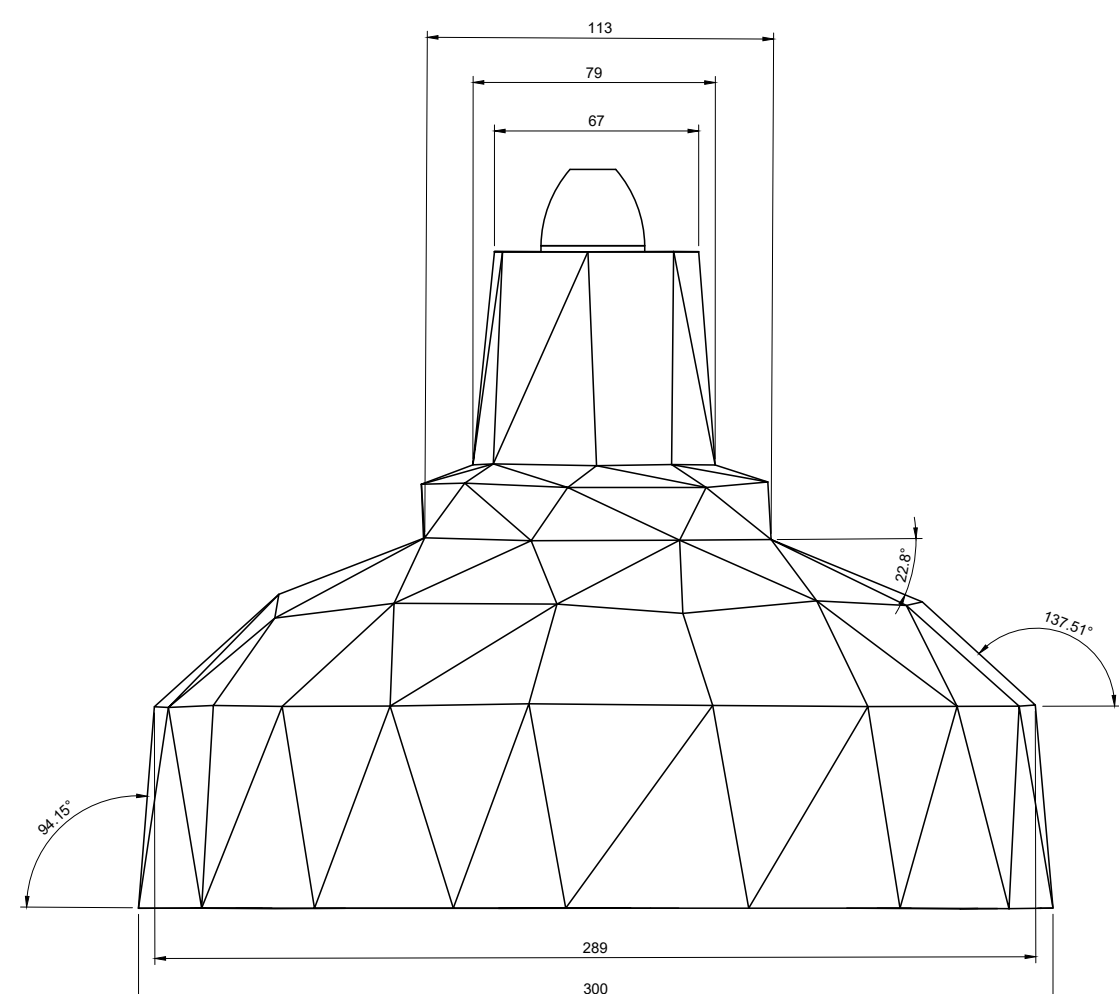
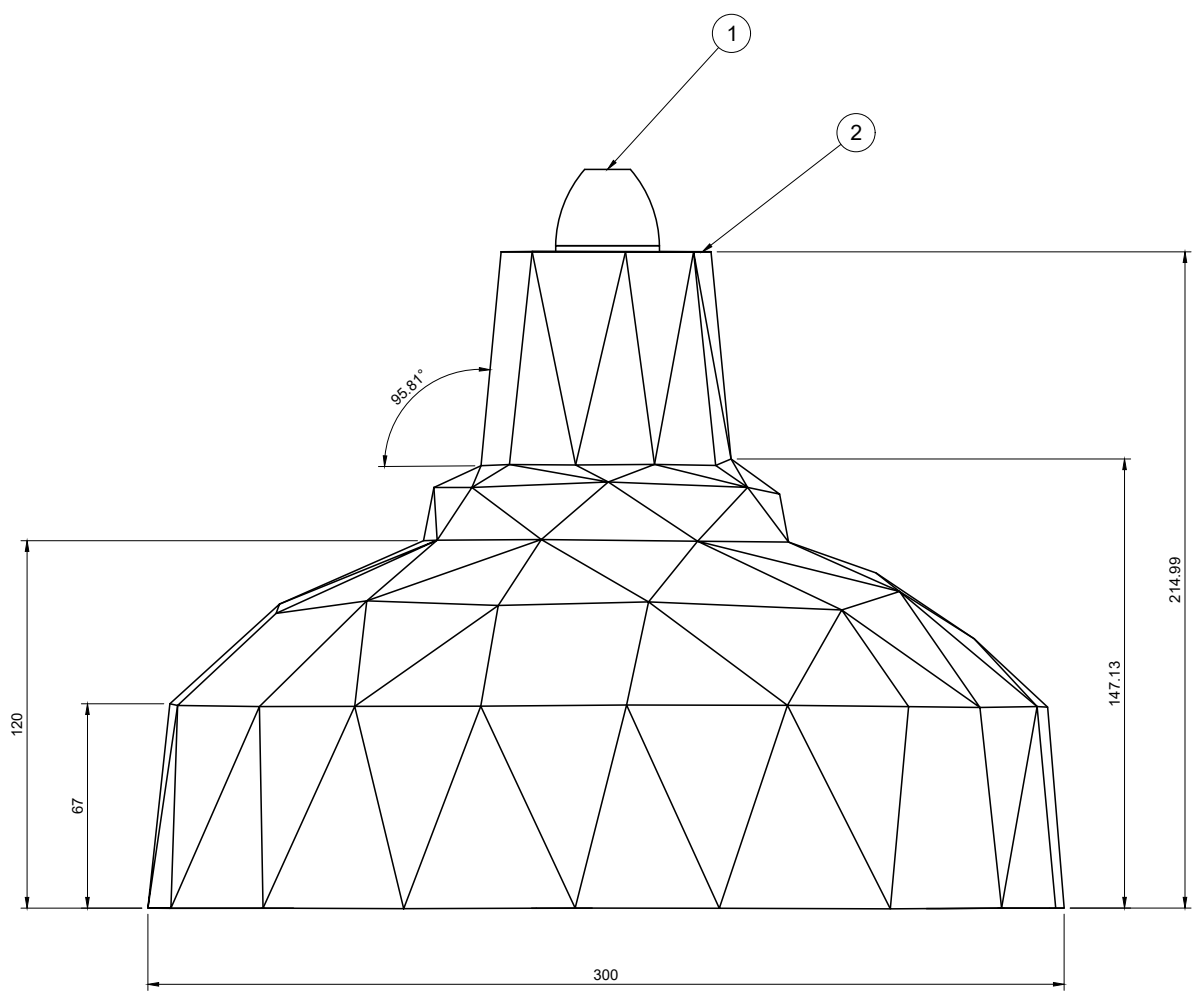


Facet Pendant Light

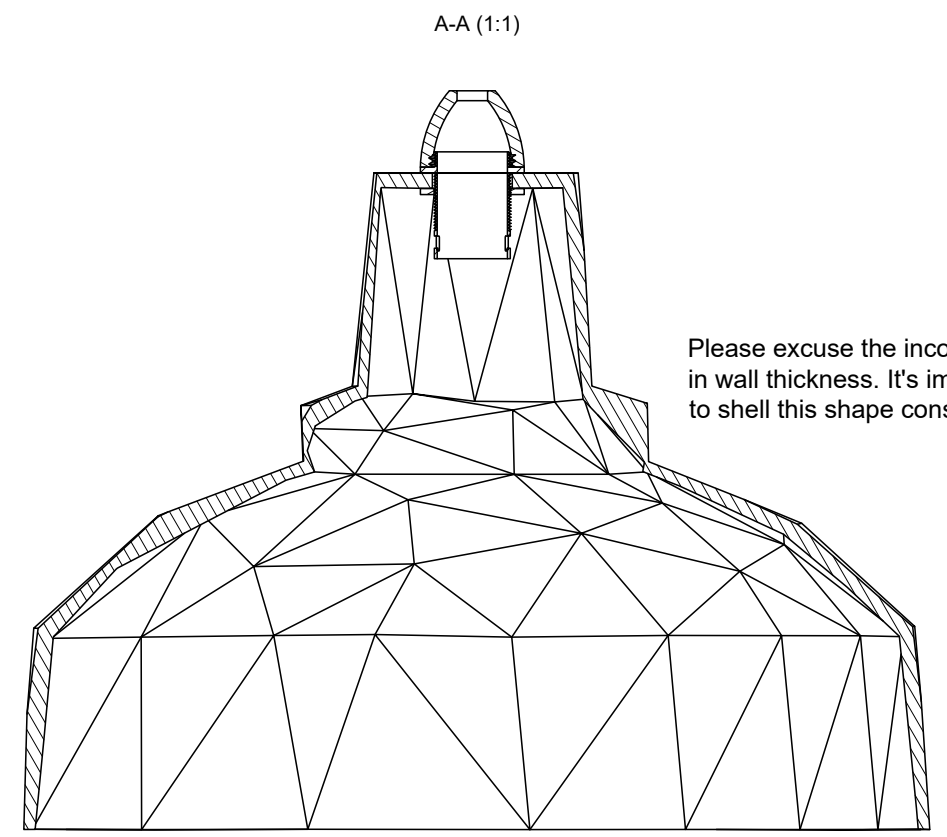
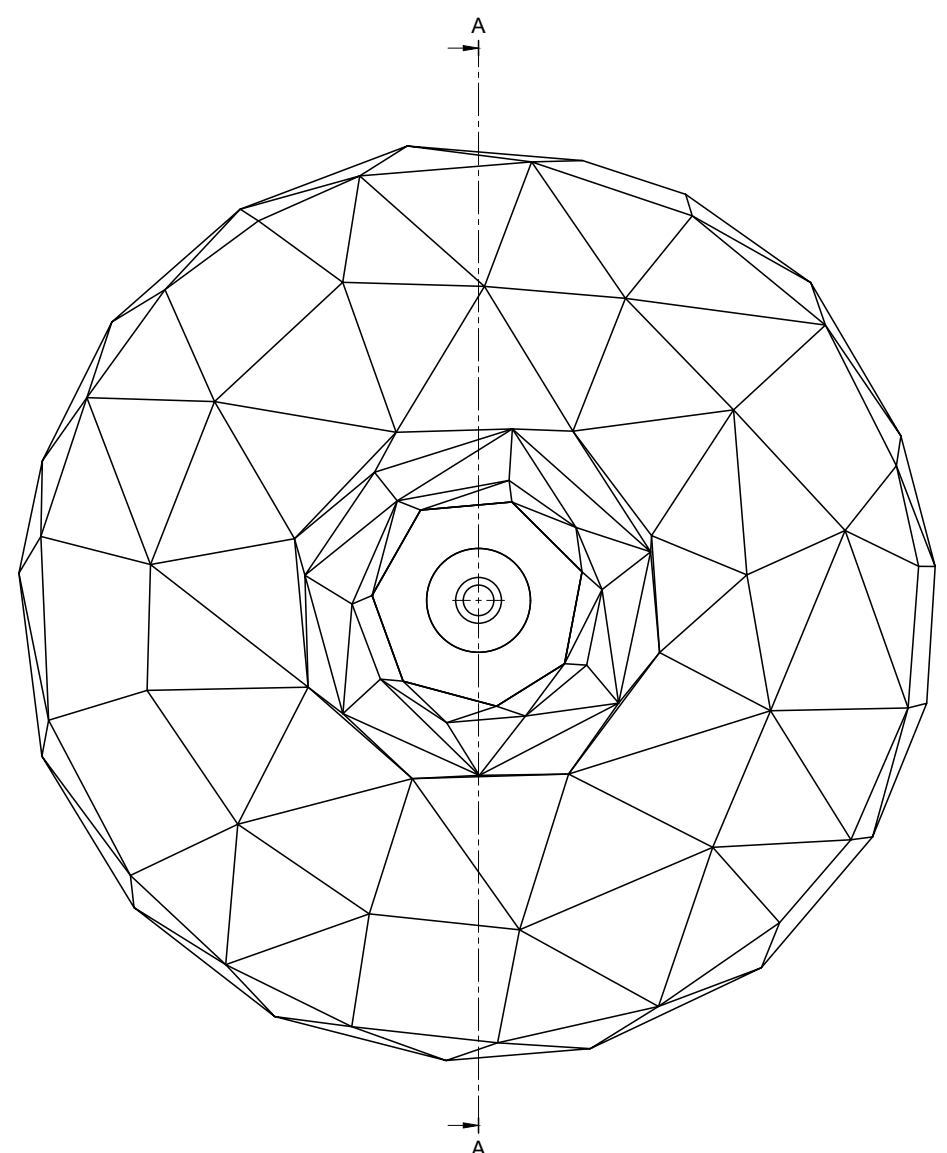
The light represents a digital disruption of a familiar form; the industrial pendant lamp.

This process is intended to carry through a range of lamp sizes (see the last page).

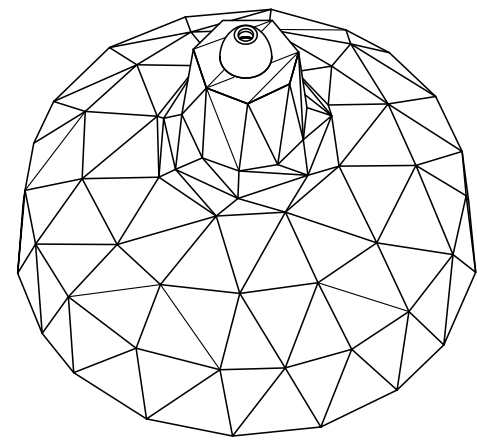
| Parts List | | | | |
|------------|-----|---------------|-------------|-------------|
| Item | Qty | Part Number | Description | Material |
| 1 | 1 | Lampholder | | ABS Plastic |
| 2 | 1 | Ceramic shade | | Porcelain |



3D VIEW
DO NOT SCALE



Please excuse the inconsistency in wall thickness. It's impossible to shell this shape consistently.



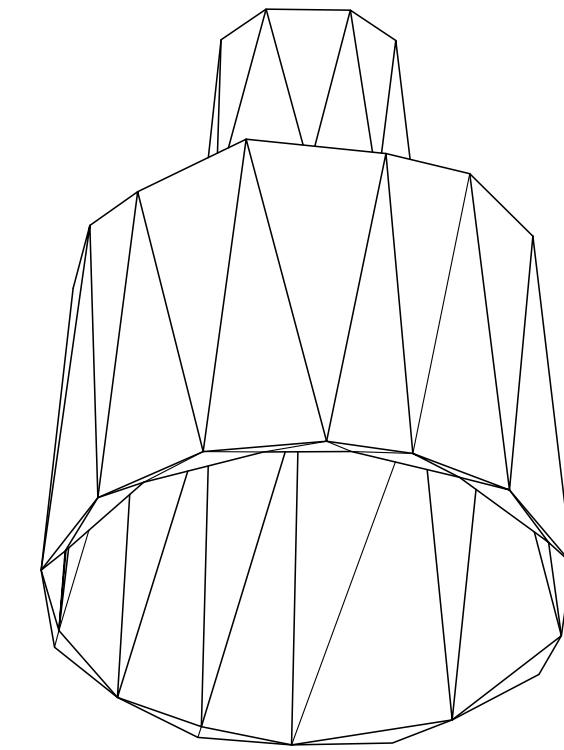
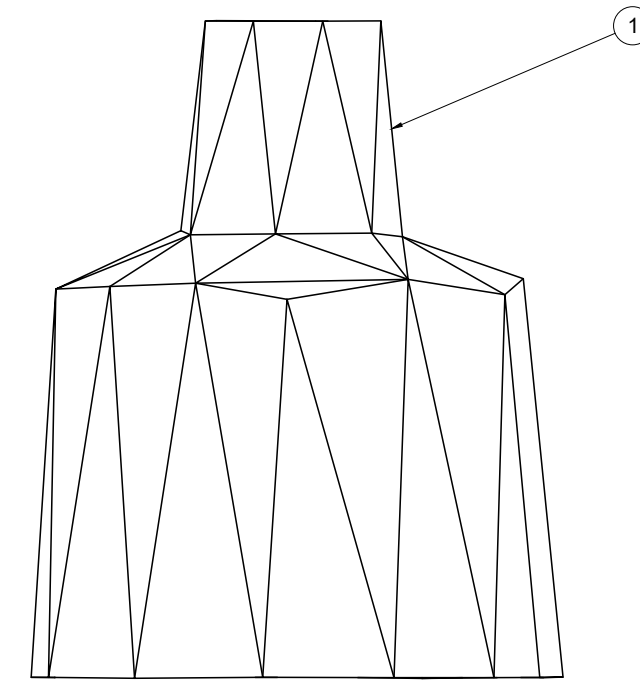
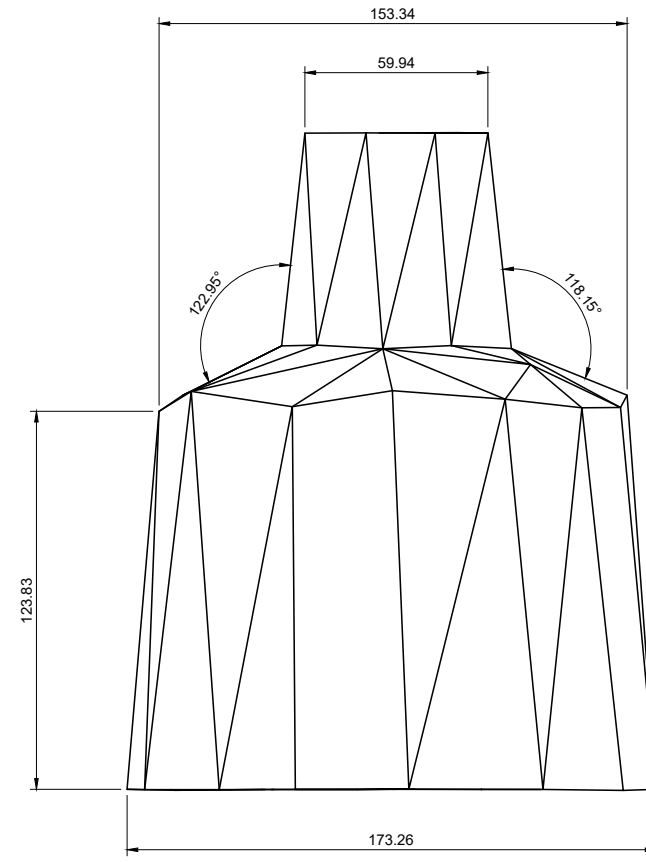
3D VIEW
DO NOT SCALE

| | | | |
|-----|---------------------|----------------------------|-------------|
| Doc | Technical reference | Created by | Approved by |
| | | Matthew Edwards 2019/10/29 | |
| | | Document name | |
| | | 300mm diameter 84% reduced | |
| | | Doc No. | me/01/01/01 |
| | | Date of issue | 2019/10/29 |
| | | Scale | 1/1 |

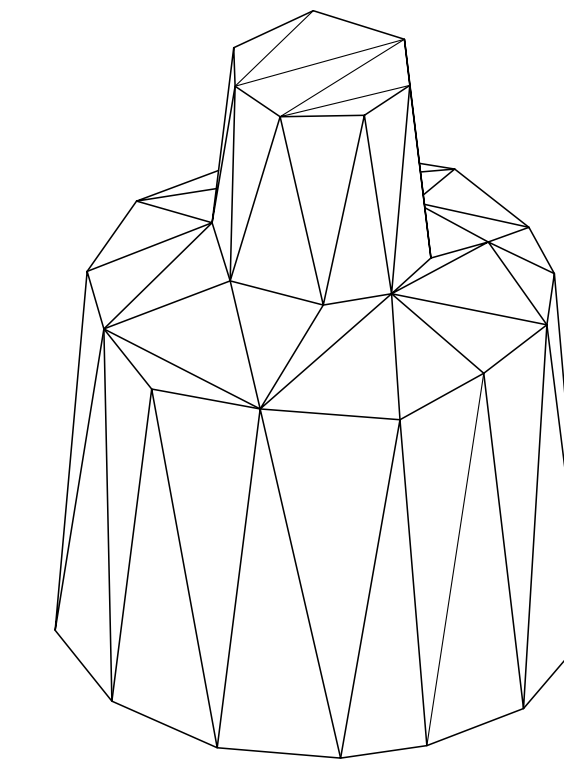
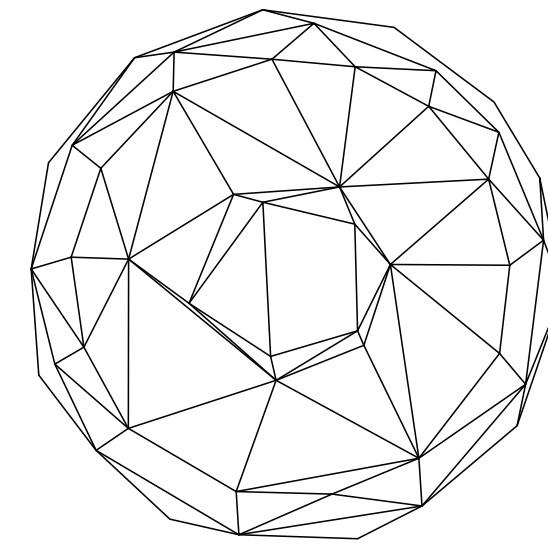
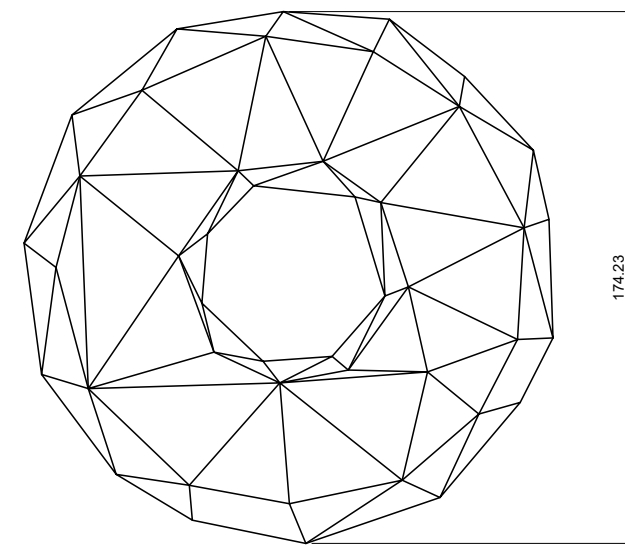
Coming Soon

Facet Pendant Light 2

| Parts List | | | | |
|------------|-----|-------------|-------------|-----------|
| Item | Qty | Part Number | Description | Material |
| 1 | 1 | Component1 | | Porcelain |



3D VIEW
DO NOT SCALE



3D VIEW
DO NOT SCALE

| Date | Technical reference | Created by | Approved by |
|------|---------------------|----------------------------|-----------------|
| | | Matthew Edwards 2019/10/30 | |
| | | Document type | Document status |
| | | 175mm smaller 92% | |
| | | Rev. | Date of issue |
| | | | 1/1 |